

PLUMBING NOTES

1. THIS SPECIFICATION SHEET IS INTENDED AS A GUIDE FOR TRADESMEN. THE FLOOR PLANS ENCLOSED HEREIN ARE SUGGESTIONS FOR THE PLACEMENT OF DENTAL EQUIPMENT. THEY ARE NOT INTENDED FOR CONSTRUCTION.
2. EXACT EQUIPMENT LOCATIONS MUST BE JOB SITE VERIFIED BY THE HENRY SCHEIN DENTAL EQUIPMENT SPECIALIST.
3. FOLLOW MANUFACTURER'S DRAWINGS FOR EXACT REQUIREMENTS FOR ANY EQUIPMENT SUPPLIED BY HENRY SCHEIN DENTAL. CONSULT WITH HENRY SCHEIN DENTAL REP FOR ADDITIONAL INFORMATION.
4. WATER PRESSURE MUST NOT EXCEED 50 PSI AT ALL DENTAL UNITS.
5. BACK-FLOW PREVENTION IS REQUIRED ON ALL LINES AS PER LOCAL CODE.

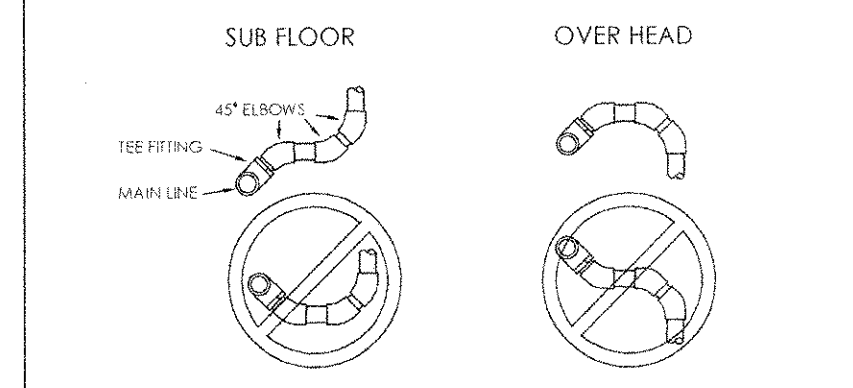
GENERAL VACUUM NOTES

THE VACUUM PIPING LAYOUT HAS A LARGE EFFECT ON THE EFFICIENCY AND RELIABILITY OF THE DENTAL VACUUM SYSTEM. REFER TO MANUFACTURER'S PRE-INSTALLATION GUIDE PROVIDED BY HENRY SCHEIN EQUIPMENT SALES SPECIALIST (ESS) FOR SPECIFIC SIZING OF STUB-UP, TRUNK, AND BRANCH LINES.

IT IS HIGHLY RECOMMENDED THAT VACUUM LINES RUN UNDERNEATH DENTAL EQUIPMENT BY MEANS OF TRENCHING/ CORING (CONCRETE SLAB) OR IN SUB FLOOR (BASEMENT/ CRAWL SPACE). ALL LINES ARE TO BE DESIGNED WITH PVC PIPING UNLESS DICTATED BY LOCAL CODES TO USE COPPER OR CAST IRON.

1. STUB-UP
TERMINATE VACUUM TRUNK LINE IN MECHANICAL ROOM W/ VERTICAL STUB-UP 3' A.F.F. PLUMBING CONTRACTOR TO PROVIDE FPT ADAPTOR ON END OF STUB-UP. SIZE OF ADAPTOR TO BE DETERMINED BY TRUNK AND PUMP INTAKE PIPE SIZES. IN THE CASE OF DUAL TRUNK LINE SYSTEM, PROVIDE ENOUGH SPACE BETWEEN STUB-UPS TO INSTALL TEES ON BOTH LINES.
2. TRUNK LINE(S)
VACUUM TRUNK LINE(S) TO BE SUPPORTED EVERY 4'-0" TO PREVENT SAG AND SLOPED A MINIMUM OF 1/4" PER 10'-0" TOWARD THE VACUUM PUMP.
3. BRANCH LINE(S)
BRANCH LINES ARE TO BE "SWEEPING" 90 DEGREE TURNS TO AVOID VACUUM LOSS. A "Y" TEE FITTING SHOULD BE USED WHEN AVAILABLE TO BRANCH TWO LINES TOGETHER.

BRANCH LINE CONFIGURATIONS



SEE SHEET SPE.1 FOR ILLUSTRATIONS & DETAILS

PLUMBING SPECIFICATIONS

QUANTITY	SPEC. NUMBER	DESCRIPTION	COLD WATER	HOT WATER	DRAIN	AIR	NATURAL GAS	VACUUM	N2/O2	OXYGEN	VENT	MECH. DETAIL	CONS. DETAIL
5	7	NITROUS OXIDE, OXYGEN & VACUUM STATION - SUPPLIED BY HENRY SCHEIN DENTAL, INSTALLED BY CONTRACTOR. SILVER SOLDERED TO TYPE L OR K COPPER LINES. 3/8" OD NITROUS AND 1/2" OD OXYGEN AND VACUUM COMING FROM THE MANIFOLD SYSTEM. EXACT LOCATION TO BE SPOTTED BY HENRY SCHEIN DENTAL EQUIPMENT SPECIALIST.						•	•	•		7	
2	7A	OXYGEN OUTLET - SUPPLIED BY HENRY SCHEIN, INSTALLED BY CONTRACTOR. SILVER SOLDERED TO TYPE L OR K COPPER LINES COMING FROM THE MANIFOLD SYSTEM. EXACT LOCATION TO BE SPOTTED BY HENRY SCHEIN DENTAL EQUIPMENT SPECIALIST.										7A	
5	11A	STANDARD SINK & FAUCET - SUPPLIED AND INSTALLED BY CONTRACTOR.	•	•	•								
1	27C	SURGICAL SUCTION PRODUCER - 1" OR 1-1/4" TYPE L OR K COPPER LINES FROM TREATMENT ROOMS. OUTSIDE VENT REQUIRED.			•							27C	
5	28	VACUUM INLET - 1/2" PVC BRANCH FROM TRUNK LINE. VERIFY HEIGHT AND LOCATION WITH HENRY SCHEIN DENTAL EQUIPMENT SPECIALIST. SUPPLIED AND INSTALLED BY CONTRACTOR.						•				28	
2	28A	SURGICAL VACUUM INLET - 1/2" COPPER (OR PER MFR SPECS). VERIFY HEIGHT AND LOCATION WITH HENRY SCHEIN DENTAL EQUIPMENT SPECIALIST. CONNECT TO SURGICAL SUCTION PRODUCER (27C).						•				28A	
1	33	NITROUS OXIDE & OXYGEN MANIFOLD SYSTEM - SUPPLIED BY HENRY SCHEIN DENTAL, INSTALLED BY CONTRACTOR. REQUIRES L OR K COPPER LINES, SILVER SOLDERED TO TRUNK LINES RUNNING TO EACH TREATMENT ROOM. PRESSURE TESTED WITH DRY NITROGEN TO 150 PSI FOR 24 HOURS BY CONTRACTOR.							•	•		33, N2O	

PROJECT: **DR. JOHN CAREY**
LOCATION:

HENRY SCHEIN REP: JASON HULAK
CENTER: ATLANTA, GA.
PHONE #: (800) 645-6594

IMPORTANT NOTE:
THIS DOCUMENT HAS BEEN PREPARED AS AN INSTRUMENT OF PROFESSIONAL SERVICE, AND IS NOT AN ARCHITECTURAL PLAN. IDEAS/ DESIGNS INCLUDED HEREIN ARE THE SOLE PROPERTY OF HENRY SCHEIN DENTAL, AND ARE PROTECTED UNDER COPYRIGHT. THEY MAY NOT BE USED OR REPRODUCED WITHOUT EXPRESSED WRITTEN CONSENT OF HENRY SCHEIN AND FULL PAYMENT OF ANY ASSOCIATED DESIGN FEES.
ALL DIMENSIONS ARE SUBJECT TO JOB-SITE VERIFICATION.

DRAWING NAME: CAREY-F
PROJECT START DATE: 1/20/2011
FINALS START DATE: 1/20/2011
DRAWN BY: ARCH
FINALS BY: TJK
CHECKED BY:

REVISIONS:

---/---/---	---
---/---/---	---
---/---/---	---
---/---/---	---
---/---/---	---
---/---/---	---
INT. SQ. FT. =	---

PROPOSED DENTAL PLUMBING SPECIFICATIONS
1/4"=1'-0"