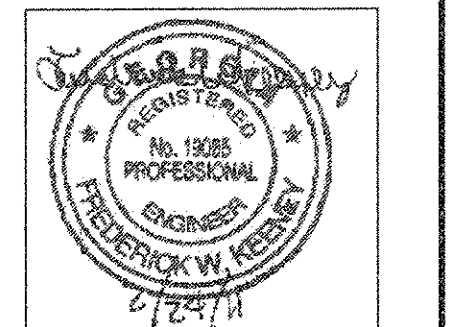


NO.	DESCRIPTION

REVISIONS

QUAD A
4508 HOLLY SPRINGS PKWY
CANTON, GEORGIA 30115
11-1502

PROJECT



SEAL

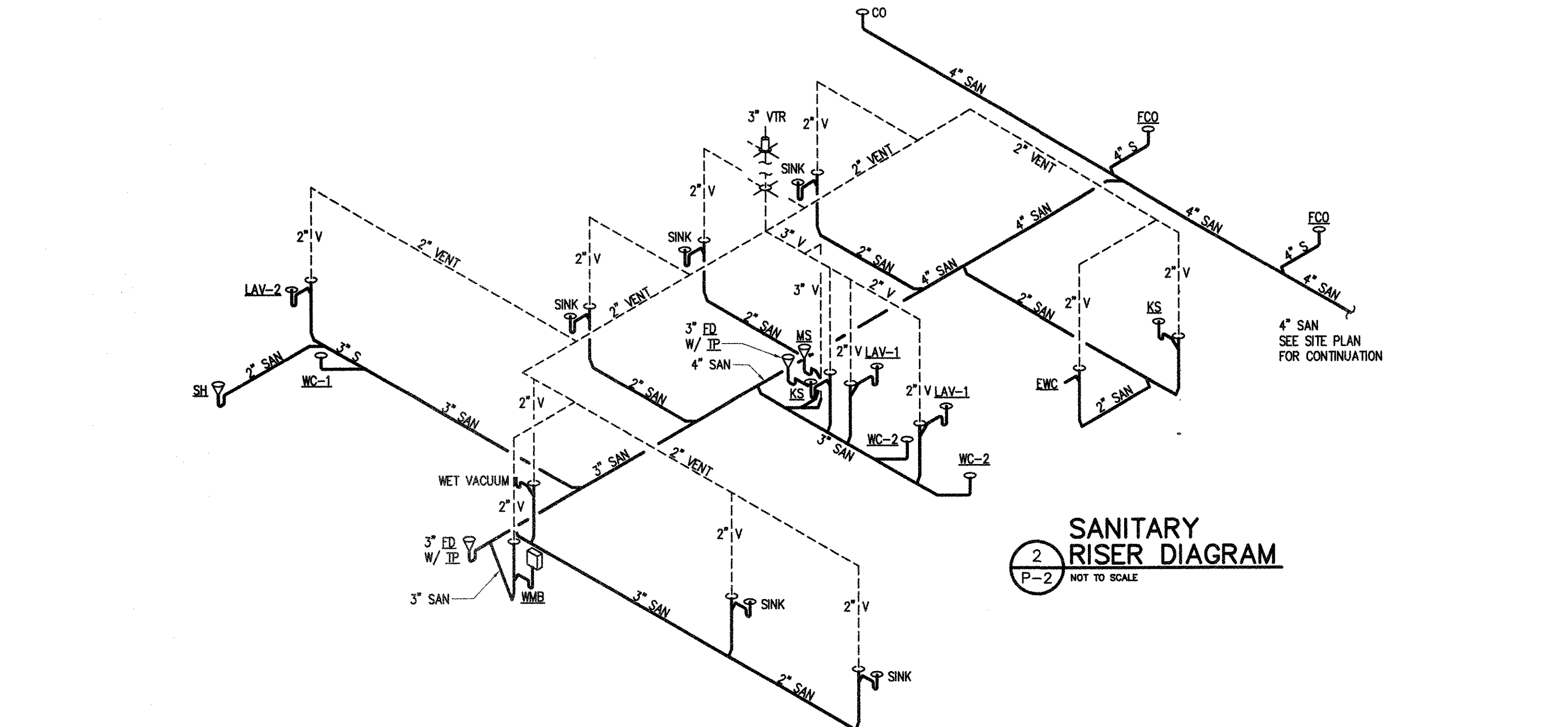
FEBRUARY 28, 2011
CONSTRUCTION SET
RELEASED FOR CONSTRUCTION
RELEASE DATE

PLUMBING
NOTES, DETAILS
& RISER DIAGRAMS

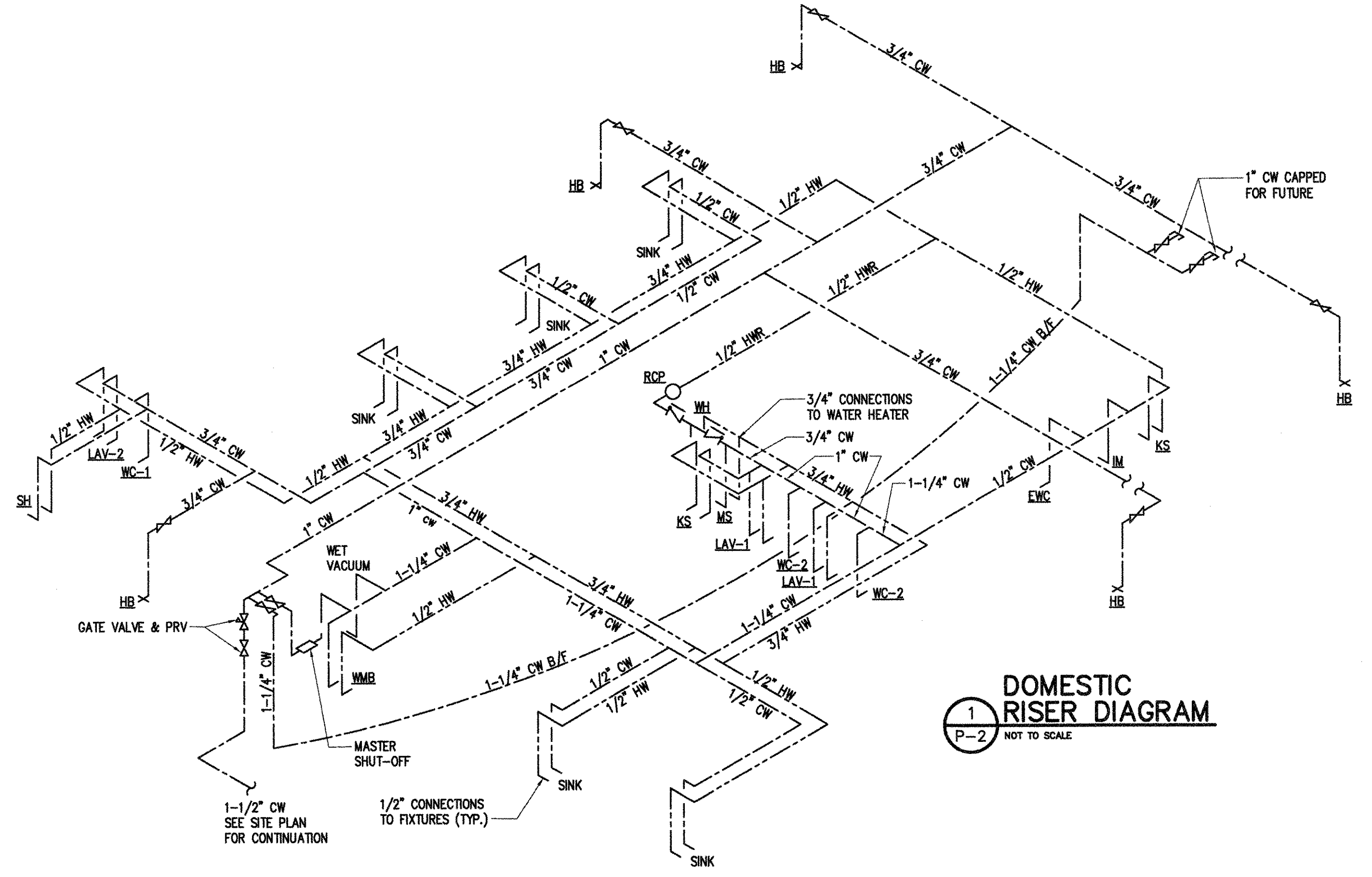
DRAWING TITLE

© COPYRIGHT 2009
JEFFERSON BRIDGE, INC. THIS DOCUMENT IS AN
INSTRUMENT OF SERVICE REMAINS THE PROPERTY OF
JEFFERSON BRIDGE, INC. AND NO PART THEREOF MAY
BE REPRODUCED IN ANY FORM WITHOUT WRITTEN
PERMISSION FROM JEFFERSON BRIDGE, INC.

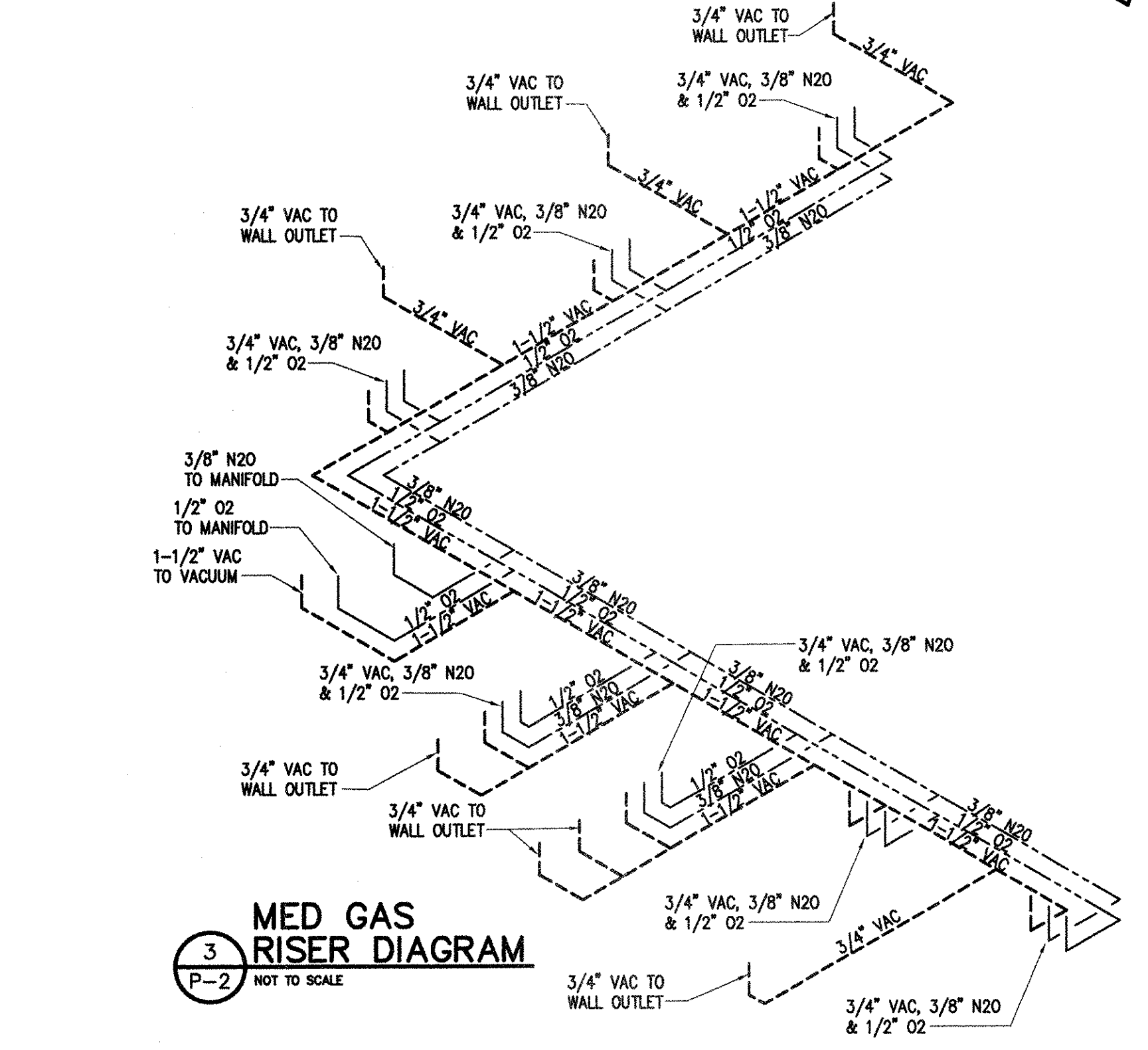
Drawn By: R. KEENEY
Checked By: R. KEENEY
PROJECT # 11-1502
SHEET NO. P-2



2
P-2
NOT TO SCALE
SANITARY
RISER DIAGRAM



1
P-2
NOT TO SCALE
DOMESTIC
RISER DIAGRAM



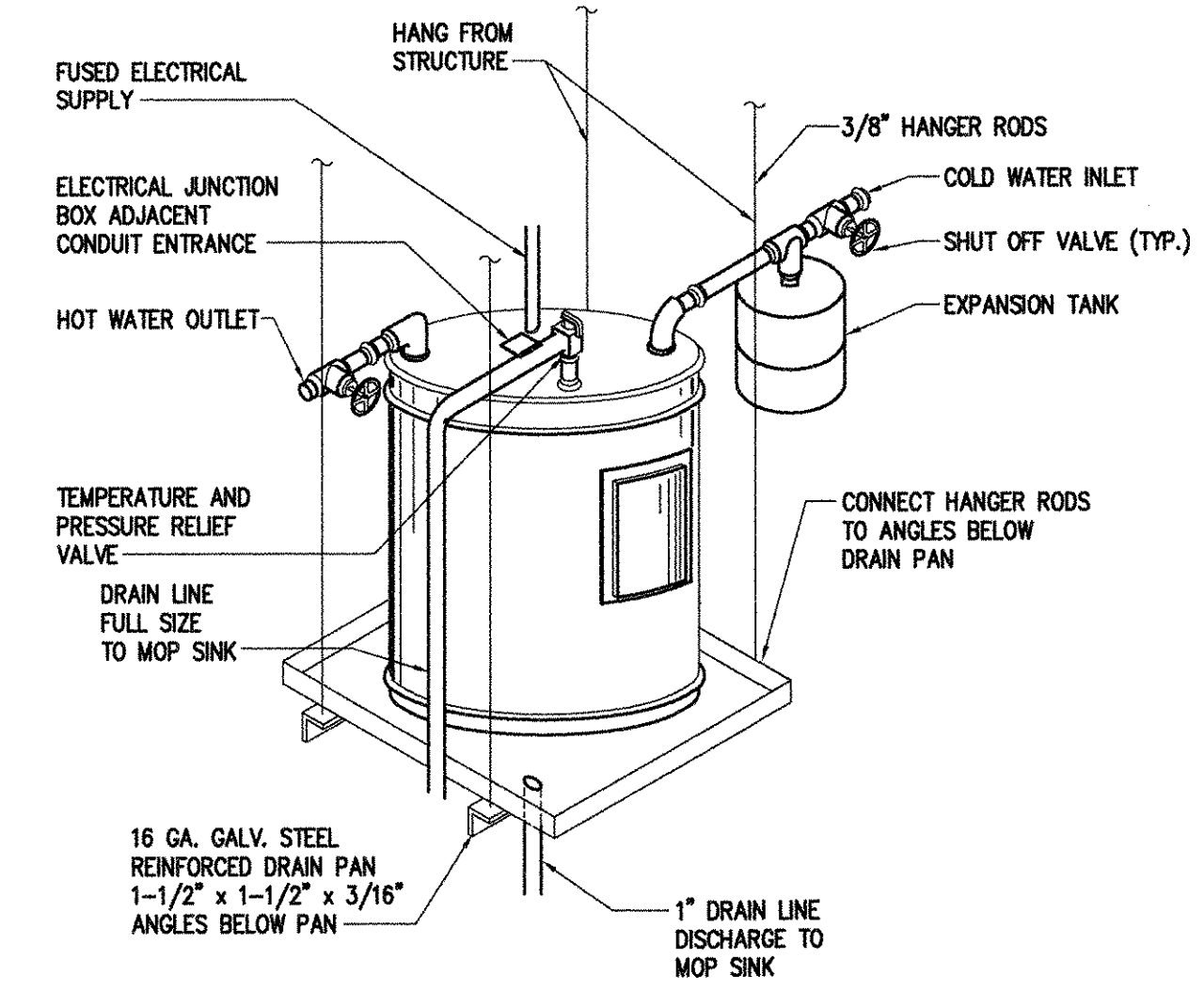
3
P-2
NOT TO SCALE
MED GAS
RISER DIAGRAM

PLUMBING FIXTURES (OR APPROVED EQUAL)

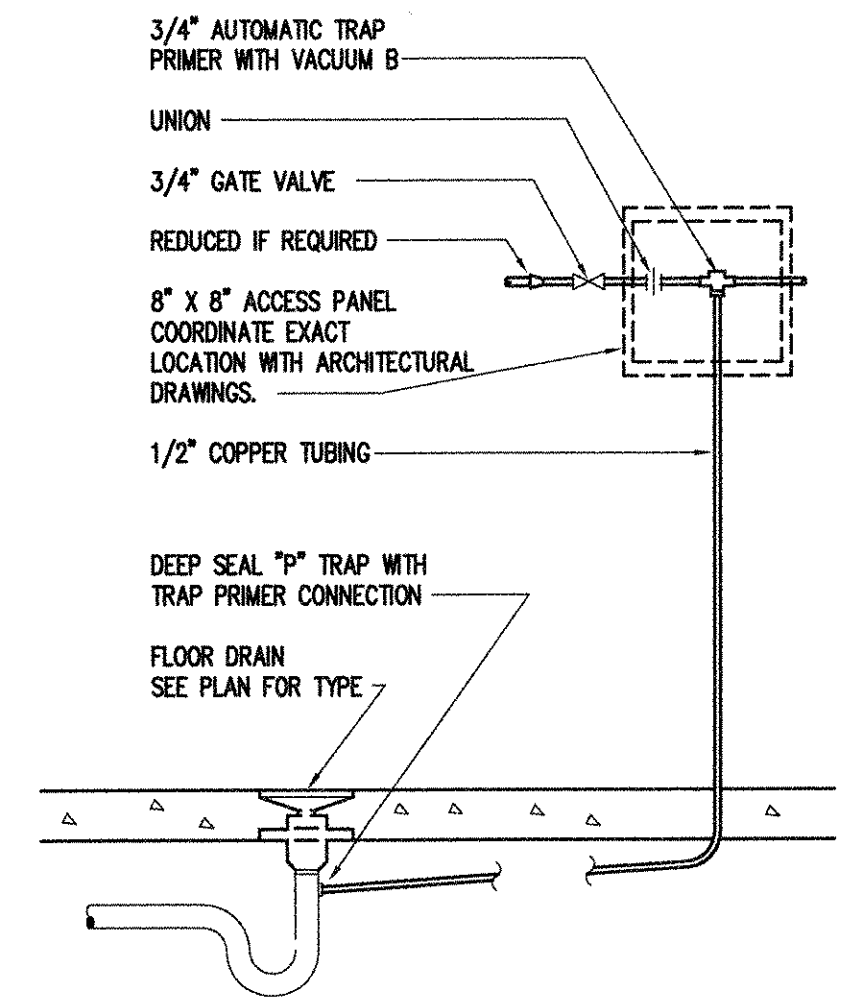
- WC-1 Water Closet - Floor Mounted - Tank type - American Standard Cadet 2898.012 (14-3/4" high) elongated water saver, 1.6 GPF, white vitreous china toilet, siphon jet action, close coupled tank and two bolt caps. Church 5320.536 white solid plastic open front heavy duty seat.
- WC-2 Water Closet - Floor Mounted - Tank type - Handicapped - American Standard Cadet 2998.012 (16-1/2" high) elongated water saver, 1.6 GPF, white vitreous china toilet, siphon jet action, close coupled tank and two bolt caps. Church 5320.536 white solid plastic open front heavy duty seat.
- LAV-1 Lavatory - Wall Hung - Kohler Solo K-2054, white vitreous china lavatory, with wall carriers, Delta faucet 501, 4" center-to-center faucet with chrome single lever handle, McGuire 155A grid drain assembly, with 1-1/4" tailpiece, McGuire 8872 1-1/4" C.P. P-trap with cleanout, McGuire 170 supplies with wheel handle stops and escutcheons. Provide and install aerator with .50 GPM flow restrictor.
- LAV-2 Lavatory - Pedestal - Kohler Pinot K-2015-4, white vitreous china lavatory, Delta faucet 501, 4" center-to-center faucet with chrome single lever handle, McGuire 155A grid drain assembly, with 1-1/4" tailpiece, McGuire 8872 1-1/4" C.P. P-trap with cleanout, McGuire 170 supplies with wheel handle stops and escutcheons. Provide and install aerator with .50 GPM flow restrictor.
- RCP Hot Water Re-circulating Pump - Taco 006-BC4 capable of 5 GPM at 5 ft. of head.
- IM Ice Maker Connection - Water-Tite 9000
- Dishwasher Drain and Supply - Brass Craft 36-E11
- EWC Electric Floor Standing Water Cooler - Acorn A51103F-GF cooler w/ optional glass filter.
- KS Kitchen Sink - Countertop - Just DL-2133-B-GR, 20 ga. self-rimming double bowl stainless steel sink, Delta faucet 300 with Just J35 basket strainer, EBC 1A150 C.P. P-trap with cleanout, EBC LA26 supplies with wheel handle stops and escutcheons.
- MS Mop Service Sink - Acorn TDF-24 Terrazzo receptor, 24" x 24" x 12" high with 3" integral strainer and drain. Acorn KFC exposed type double faucet combination with bucket hook, hose and outlet, vacuum breaker and top brace.
- SH Shower - Clarion RE8036 complete with drain with perforated strainer, shower curtain and Delta 1324 scald-proof shower head and faucet assembly.
- WH Water Heater - A.O. Smith ECL-30 (4500W) with 30 gallon storage with an electric input of 4500 watts heating element, 208 v. single phase (or compatible) service. Unit shall have adjustable thermostat for each heating element. Tank shall be insulated with 2" thick fiberglass insulation and metal jacket. Watts Dets Series expansion tank, sized per manufacturers recommendations, shall be provided.
- HB Hose Bibb - Freezeless - Woodford 25 with anti-siphon vacuum breaker and self draining design.
- FD Floor Drains - Joy R. Smith 2005-ASN-U with cast iron body with Type "A" strainer.
- FCO Floor Cleanout - Joy R. Smith 4025-PB-U
- TP Trap Primer - Precision Plumbing Products "Oregon #1" with soft copper tubing to hub drain above ceiling.
- WMB Washing Machine Box - Water-Tite 4512 and #MB-1 with compression brass fittings.

PLUMBING NOTES AND SPECIFICATIONS

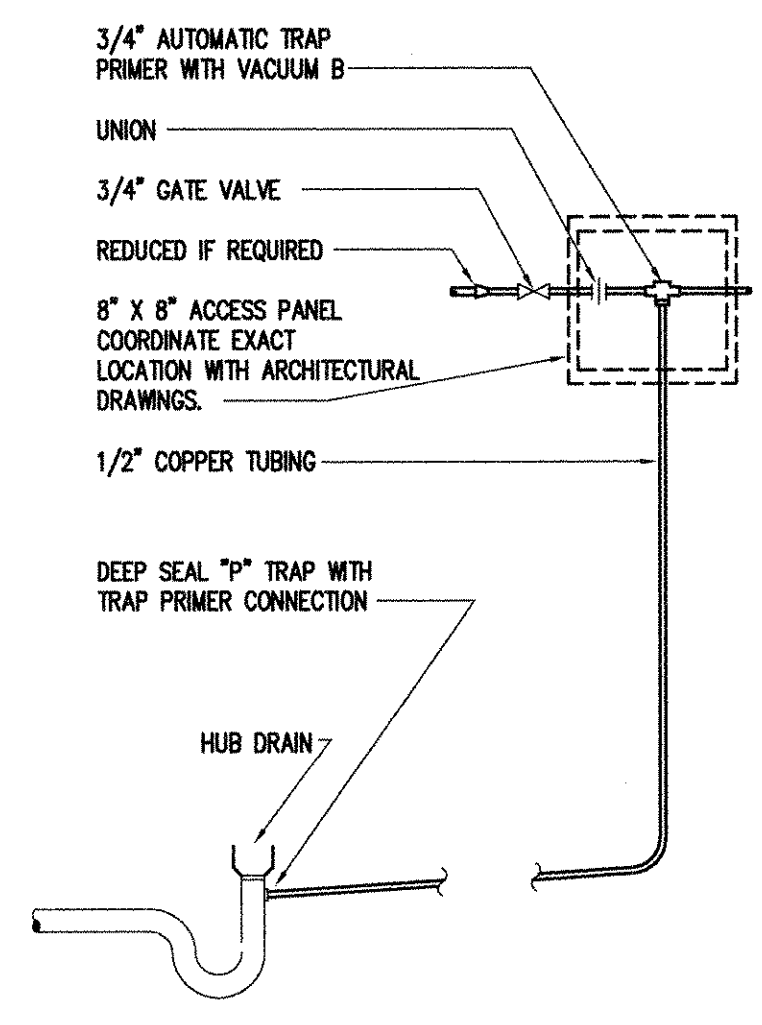
- FURNISH ALL LABOR, MATERIAL, AND EQUIPMENT REQUIRED FOR A COMPLETE PLUMBING SYSTEM IN ACCORDANCE WITH ALL NATIONAL, STATE, AND LOCAL CODES.
- FURNISH AND INSTALL ALL SYSTEMS OF SOIL, WASTE, AND VENT PIPING, HOT & COLD WATER PIPING, AND DRAINAGE PIPING INCLUDING ALL FITTINGS, VALVES, ETC. AS REQUIRED.
- FURNISH AND INSTALL ALL PLUMBING FIXTURES AND EQUIPMENT AS SHOWN ON THE DRAWINGS.
- ALL PLUMBING WORK SHALL BE DONE UNDER THE SUPERVISION OF AND BY LICENSED AND QUALIFIED PLUMBERS PER ALL LOCAL, STATE, AND NATIONAL CODES AND TO THE COMPLETE SATISFACTION OF THE LOCAL PLUMBING INSPECTOR.
- SUBMISSION OF A BID OR PROPOSAL SHALL BE CONSTRUED AS EVIDENCE THAT THE CONTRACTOR HAS FAMILIARIZED HIMSELF WITH THE PLANS, SPECIFICATIONS, AND BUILDING SITE. CLAIMS MADE SUBSEQUENT TO BIDS FOR MATERIALS AND/OR LABOR DUE TO DIFFICULTIES ENCOUNTERED WILL NOT BE RECOGNIZED, UNLESS DIFFICULTIES COULD NOT HAVE BEEN FORESEEN EVEN THOUGH PROPER EXAMINATION HAD BEEN MADE.
- CONTRACTOR SHALL BE RESPONSIBLE FOR ALL UTILITY CONNECTIONS AND SHALL BEAR ALL COSTS OF INSTALLING NEW WATER METER.
- ALL MATERIALS SHALL BE NEW, CLEAN, AND WITHOUT DEFECTS. ANY DEFECTIVE MATERIALS SHALL BE REMOVED FROM THE JOB SITE.
- ALL PLUMBING PIPING SHALL BE CONCEALED WITHIN THE BUILDING STRUCTURE AND ABOVE DROP CEILINGS.
- ALL HOT AND COLD WATER PIPING SHALL BE COPPER TYPE "L".
- ALL COPPER DOMESTIC PIPING SHALL HAVE SOLDER JOINTS, 95-5 NO-LEAD SOLDER, AND SUPPORTED ADEQUATELY FROM STRUCTURE WITH SPLIT RING HANGERS.
- COLD WATER PIPING IN UNCONDITIONED SPACES AND ALL HOT WATER PIPING SHALL BE INSULATED WITH 1/2" THICK PRE-FORMED FOAM PIPE INSULATION, IMCOLOCK OR EQUAL. INSULATE FITTINGS WITH MITERED SECTIONS.
- SANITARY, WASTE, AND VENT PIPING ABOVE GRADE SHALL BE NO-HUB CAST IRON OR ASTM D2665-81 PVC SCHEDULE 40 PIPE.
- CLEANOUT PLUGS SHALL BE INSTALLED IN ACCORDANCE WITH PLUMBING CODE REQUIREMENTS AT EACH CHANGE IN DIRECTION & AT THE BASE OF EACH SANITARY STACK. CLEANOUTS SHALL BE PLACED IN READILY ACCESSIBLE LOCATIONS.
- PROVIDE VALVES IN DOMESTIC WATER SYSTEM TO CUT-OFF WATER SERVICE MAIN INSIDE THE BUILDING, AT EACH WALL HYDRANT, AND TO ISOLATE EACH FIXTURE IN THE BUILDING.
- PROVIDE BACK-FLOW PREVENTER AND SHUT-OFF VALVES AT WATER METER, OR AS SHOWN, WATTS SERIES 009 WITH DRAIN TO OUTSIDE.
- PROVIDE WATER PRESSURE REDUCING VALVE WATTS U58 OR EQUAL. (SET AT 50 PSIG).
- INSULATE ALL EXPOSED PIPING UNDER HANDICAPPED LAVATORIES WITH TRU-BRO OR EQUAL.
- FIRESTOPS SHALL BE PROSET "FIRESTOP PENETRATORS" OR APPROVED EQUAL.
- PROVIDE WATTS MODEL 15 WATER HAMMER ARRESTORS WHERE QUICK CLOSING VALVES ARE UTILIZED.
- UPON COMPLETION OF THE WORK, TEST ALL PIPING SYSTEMS AS FOLLOWS:
 - DRAINAGE SYSTEMS INCLUDING SANITARY SEWERS, ROOF DRAINAGE, AND SANITARY VENTS: PLUG LOW POINTS OF SYSTEM AND FILL WITH WATER TO UPPERMOST OUTLET UP TO TWELVE (12) FEET HIGH, WHICHEVER IS LOWER. LET SYSTEM STAND FULL OF WATER WITH NO INDICATIONS OF LEAKS.
 - DOMESTIC HOT AND COLD WATER: 150 PSIG HYDROSTATIC TEST. HOLD HYDROSTATIC TESTS FOR A MINIMUM OF EIGHT (8) HOURS WITHOUT LOSS OF PRESSURE. HOLD AIR TESTS FOR A MINIMUM OF ONE HOUR WITHOUT SIGNIFICANT LOSS OF PRESSURE. WITH APPROVAL OF ARCHITECT, AIR TESTING MAY BE SUBSTITUTED FOR HYDROSTATIC TESTING IN FREEZING WEATHER.
- RETESTING: RETEST PIPING FAILING INITIAL TESTS FOLLOWING CORRECTION OF DEFECTIVE WORK. REQUIREMENTS OF INITIAL TESTS SHALL APPLY.



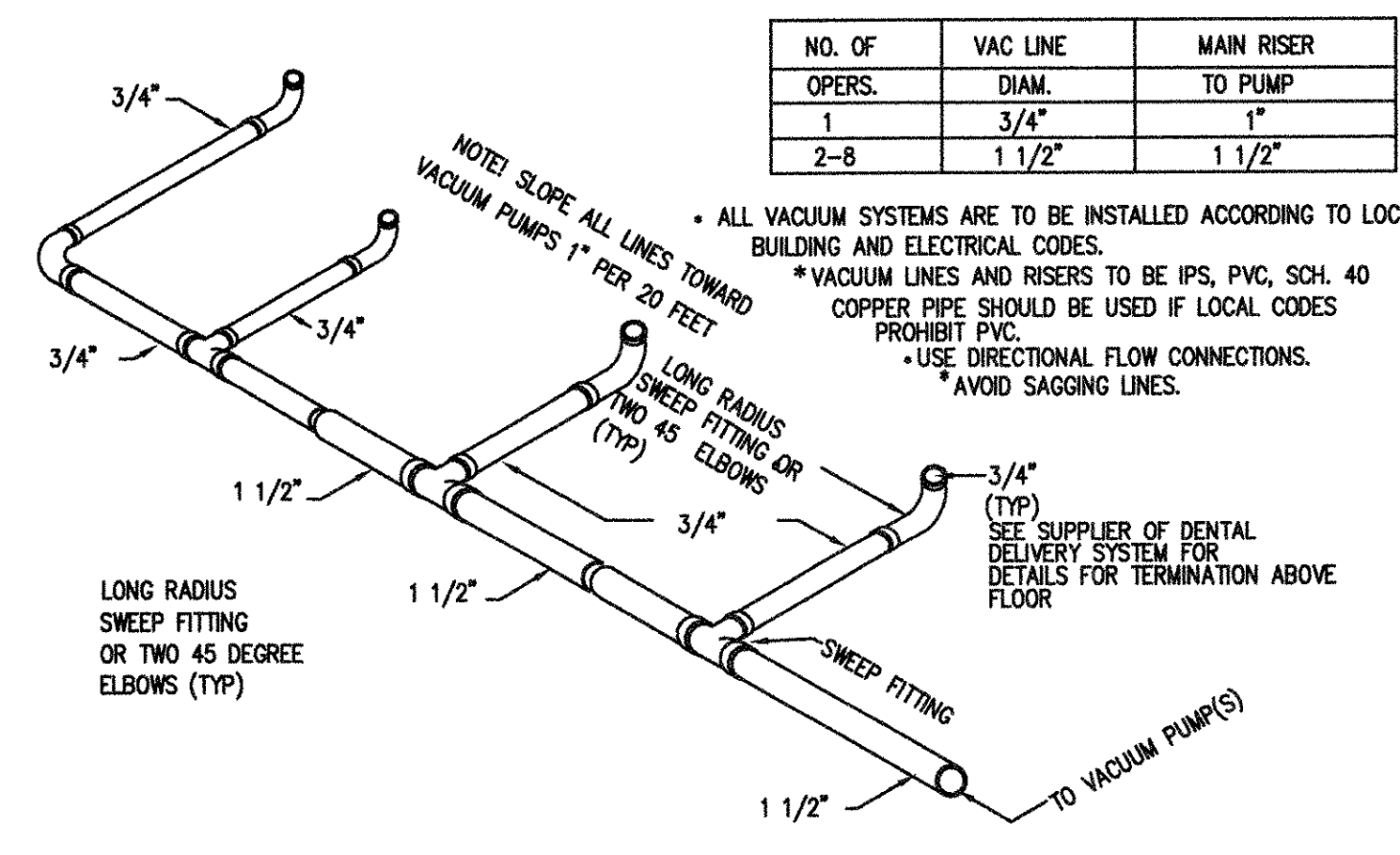
4
P-2
NOT TO SCALE
ELECTRIC WATER HEATER



5
P-2
NOT TO SCALE
AUTOMATIC TRAP PRIMER



6
P-2
NOT TO SCALE
AUTOMATIC TRAP PRIMER



VACUUM SYSTEM PIPING GUIDELINES FOR UNDER FLOOR INSTALLATION

7
P-2
NOT TO SCALE
SUCTION LINE DETAIL

NO. OF OPERS.	VAC LINE DIAM.	MAIN RISER TO PUMP
1	3/4"	1"
2-8	1 1/2"	1 1/2"

- * ALL VACUUM SYSTEMS ARE TO BE INSTALLED ACCORDING TO LOCAL BUILDING AND ELECTRICAL CODES.
- * VACUUM LINES AND RISERS TO BE IPS, PVC, SCH. 40 COPPER PIPE SHOULD BE USED IF LOCAL CODES PROHIBIT PVC.
- * USE DIRECTIONAL FLOW CONNECTIONS.
- * AVOID SAGGING LINES.